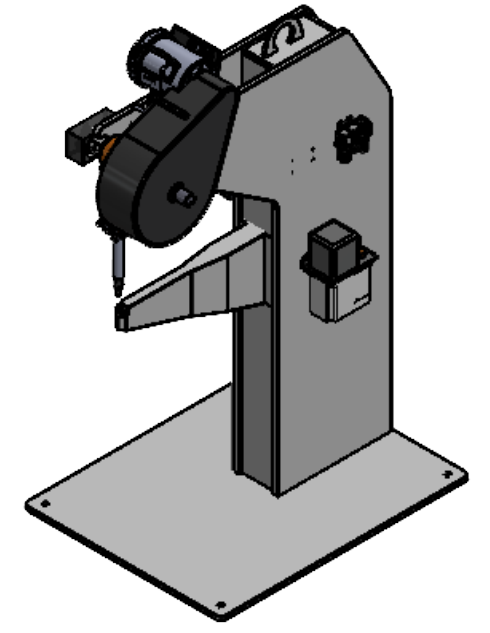
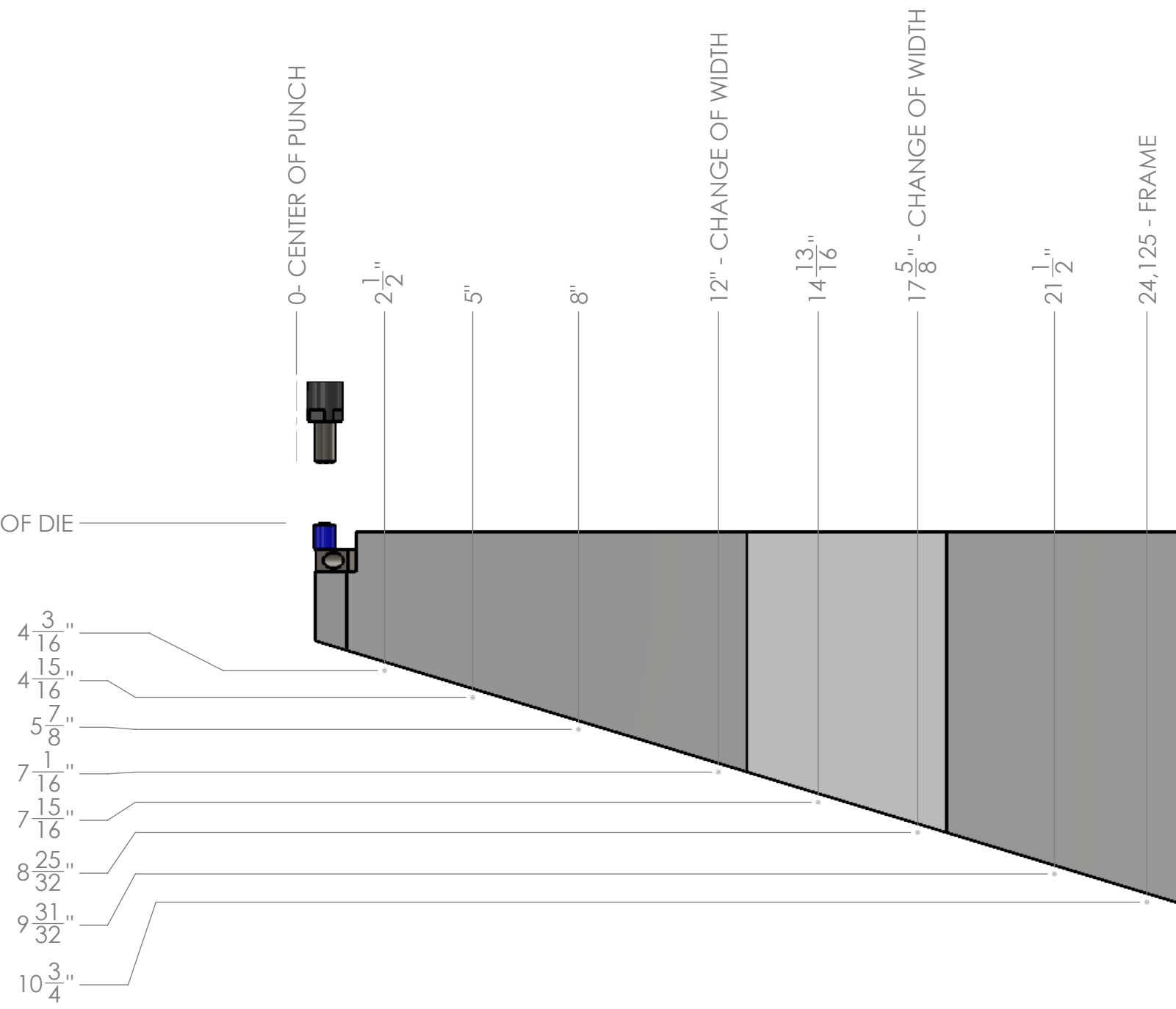


0 - FROM TOP OF DIE




Azimuth Machinery Ltd
 T 450 632 8080
 F 450 632 8081
 www.azimuthpress.com
 6040 Rte. 132, Ste Catherine
 QC, Canada, J5C 1B6

DESCRIPTION	
H624 GEN II ARM DIMENSION	
PART NO	
H624-AC	
DRAWN BY	SCALE
JOEY TRUDEAU	1:24
DRAWING #	MATERIAL
COMMENTS :	

UNLESS OTHERWISE SPECIFIED
 DIMENSIONS ARE IN INCHES
 TOLERANCES :
 FRACTIONAL ± 1/64
 TWO PLACE DECIMAL ± .01
 THREE PLACE DECIMAL ± .005

PROPRIETARY AND CONFIDENTIAL
 THE INFORMATION CONTAINED IN THIS DRAWING IS THE SOLE PROPERTY OF AZIMUTH MACHINERY. ANY REPRODUCTION IN PART OR AS A WHOLE WITHOUT THE WRITTEN PERMISSION OF AZIMUTH MACHINERY IS PROHIBITED.